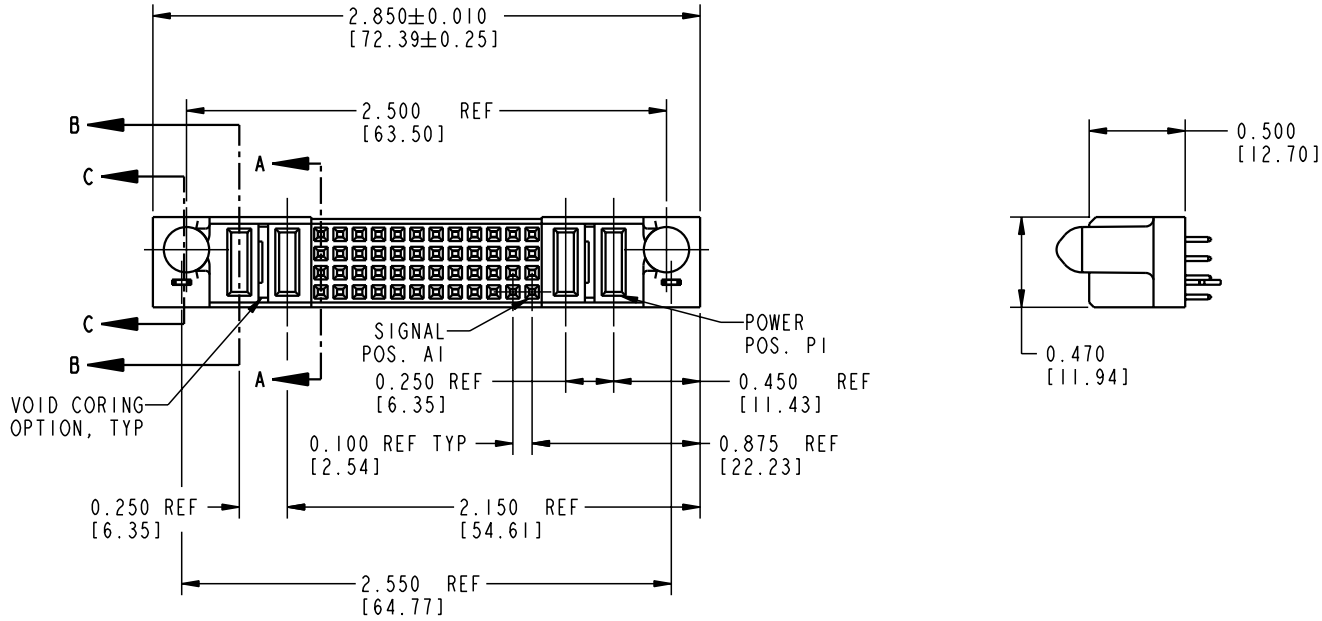


Tous droits strictement réservés. Reproduction ou communication o des tiers interdite sous quelque forme que ce soit sans autorisation écrite du propriétaire. Propriete de c FCI. Droits de reproduction FCI.

All rights strictly reserved. Reproduction or issue to third parties in any form whenever is not permitted without written authority from the proprietor. Property of FCI. Copyright FCI.

A
FCI

PRODUCT No.	ROWS	POWER			SIGNAL											POWER		E1			
		E2	P4	P3	12	11	10	9	8	7	6	5	4	3	2	1	P2		P1		
51750-021	D C B A				E	E	E	E	E	E	E	E	E	E	E	E	E	E	PA	PD	



CODE	DIM "M"		CONTACT TYPE
	±0.010 [0.25]		
E	N/A	[N/A]	SIGNAL
PA	0.042	[1.07]	POWER
PD	0.092	[2.34]	POWER
HA	N/A	[N/A]	HOLD-DOWN

mat'l code				SEE NOTE 1		tolerances unless otherwise specified		CUSTOMER		A FCI www.fciconnect.com	
ltr	ecn no.	dr	date	linear	.XX±.01/0.X±0.3		COPY		projection 		
A	V12166	JRW	8/30/01		.XXX±.005/0.XX±0.13		A				
B	V03-0341	TAB	04/25/03		.XXX±.0020/.XXX±.051		INCH/MM				
				angles	0°±2°		scale		product family		code
				dr	J. WITMER	8/30/01	1:1		PwrBlade		213
				engr	J. ALLISON	8/30/01			size		sheet
				chr	J. ALLISON	8/30/01			A		51750-021
				appd	J. ALLISON	8/30/01					1 of 2
sheet index		revision sheet		B	B						
1		2		1		2					

Pro/E

cage code 22526

PDM: Rev:B

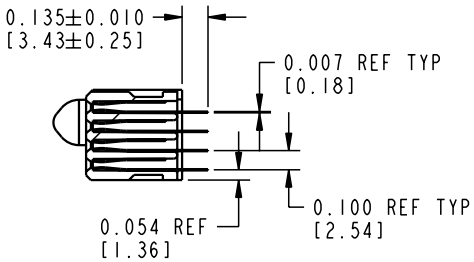
STATUS: Released

Printed: Aug 14, 2007

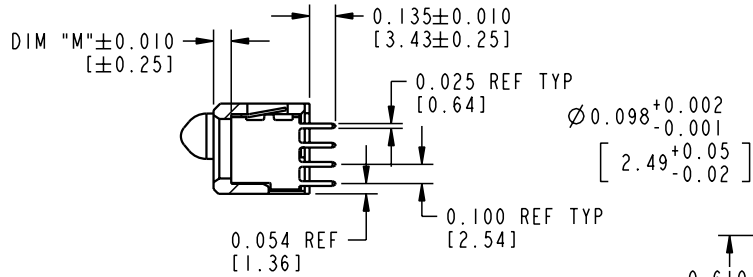
Tous droits strictement réservés. Reproduction ou communication a des tiers interdite sous quelque forme que ce soit sans autorisation écrite du propriétaire. Propriété de c FCI. Droits de reproduction FCI.

All rights strictly reserved. Reproduction or issue to third parties in any form whatever is not permitted without written authority from the proprietor. Property of FCI. Copyright FCI.

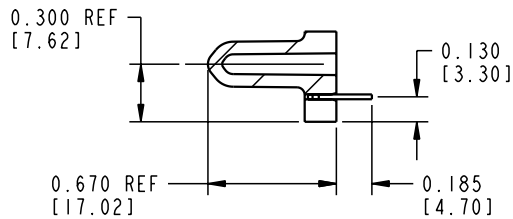
PRODUCT NUMBER
51750-021



SECTION A-A



SECTION B-B



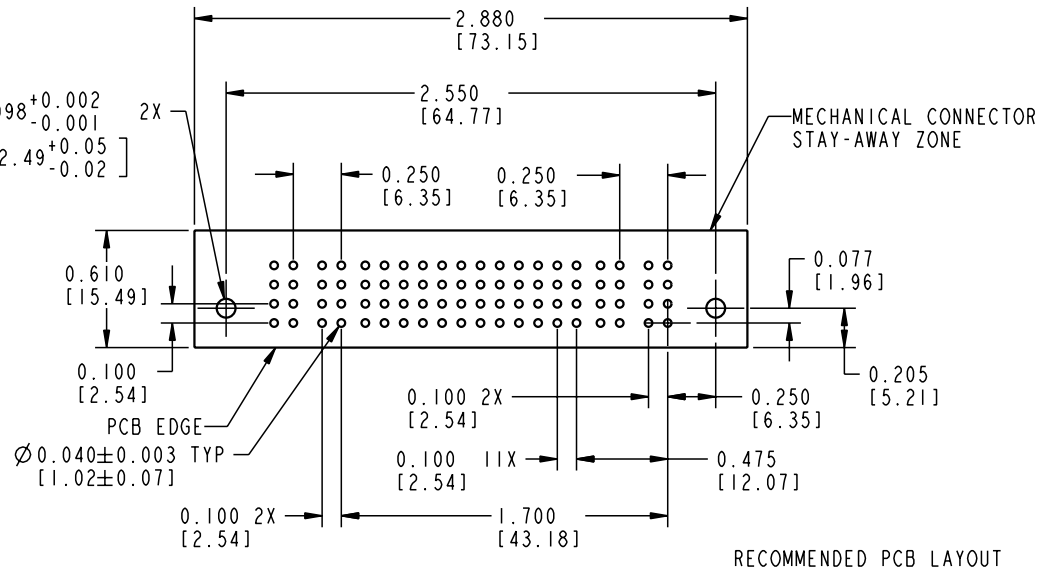
SECTION C-C

CONNECTOR NOTES:

1. FOR ADDITIONAL INFORMATION, REFER TO DRAWING NUMBER 51750.

PCB NOTES:

- ALL HOLE DIAMETERS ARE FINISHED HOLE SIZE
- Ø0.0453±0.0010 [1.151±0.025] DRILLED HOLES PLATED WITH 0.0003 [0.008] MIN SnPb OVER 0.001 [0.03] TO 0.003 [0.08] Cu PLATING TO ACHIEVE A Ø0.040±0.003 [1.02±0.07] HOLE.



RECOMMENDED PCB LAYOUT

mat'l code		SEE NOTE 1		tolerances unless otherwise specified		CUSTOMER		 www.fciconnect.com	
ltr	ecm no.	dr	date	linear	.XX±.01/0.X±0.3	COPY		title	
B				projection	.XXX±.005/0.XX±0.13			2P + 48S + 2P VERTICAL SOLDER RECEPTACLE	
				angles	.XXX±.0020/.XXX±.051			product family	
				dr	0°±2°	INCH/MM		PwrBlade	
				engr	J. WITMER 8/30/01	scale		code	
				chr	J. ALLISON 8/30/01	1:1		213	
				appd	J. ALLISON 8/30/01			sheet	
sheet index		revision sheet						2	
								cage code	
								22526	

Pro/E

3

cage code **22526**

4

PDM: Rev:B

STATUS: **Released**

Printed: Aug 14, 2007